

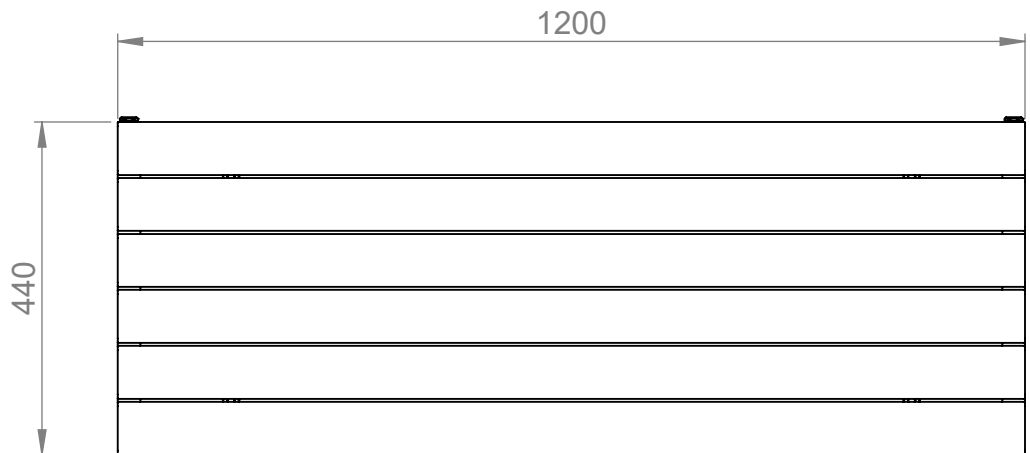
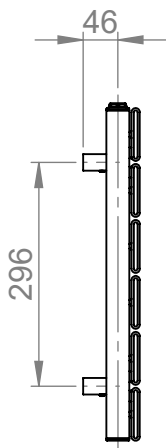
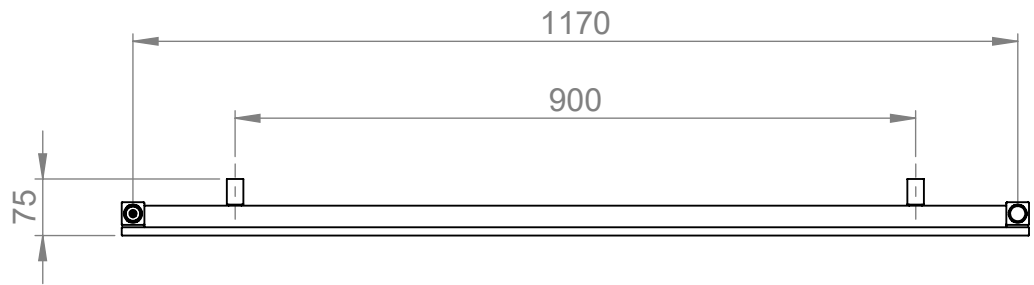
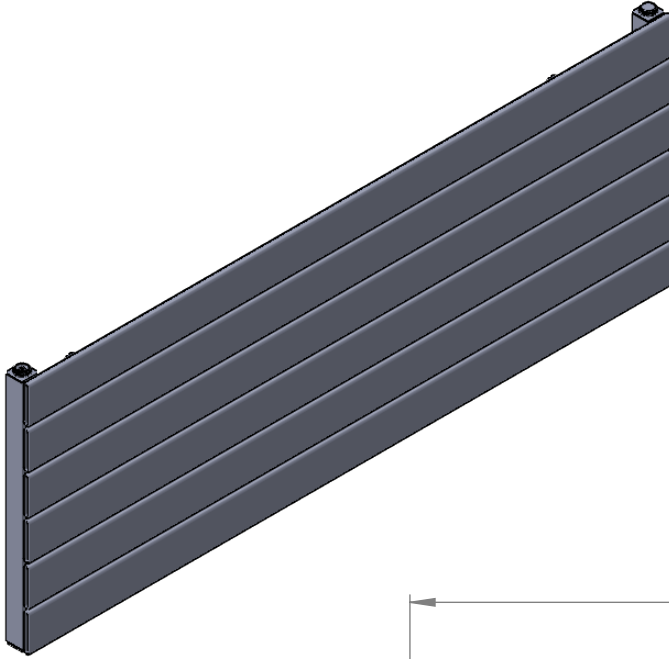
Flyline DR002 440x1200x75mm

Height: 440mm
Width: 1200mm
Depth: 75mm
Weight HO: kg
EO: kg

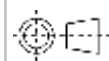
Tube ϕ : 30mm sq & 70x11mm
Pipe Centres: 1170mm
Elec. element if specified: N/A
Output @ 50°C Δ T Watts: 882W
BTUs: 3006

All dimensions in millimetres

Manufactured from Aluminium



Vogue UK Ltd. reserve the right to alter specifications without prior notice.
ALL MEASUREMENTS ARE NOMINAL DIMENSIONS ONLY, AND ARE NOT BINDING.



SCALE 1:10

 **VOGUE UK**
TOWEL WARMERS & RADIATORS

Strawberry Lane, Willenhall
West Midlands WV13 3RS
Tel: 01902 387000 Fax: 01902 387001
e-mail: sales@vogueuk.co.uk www.vogueuk.co.uk