

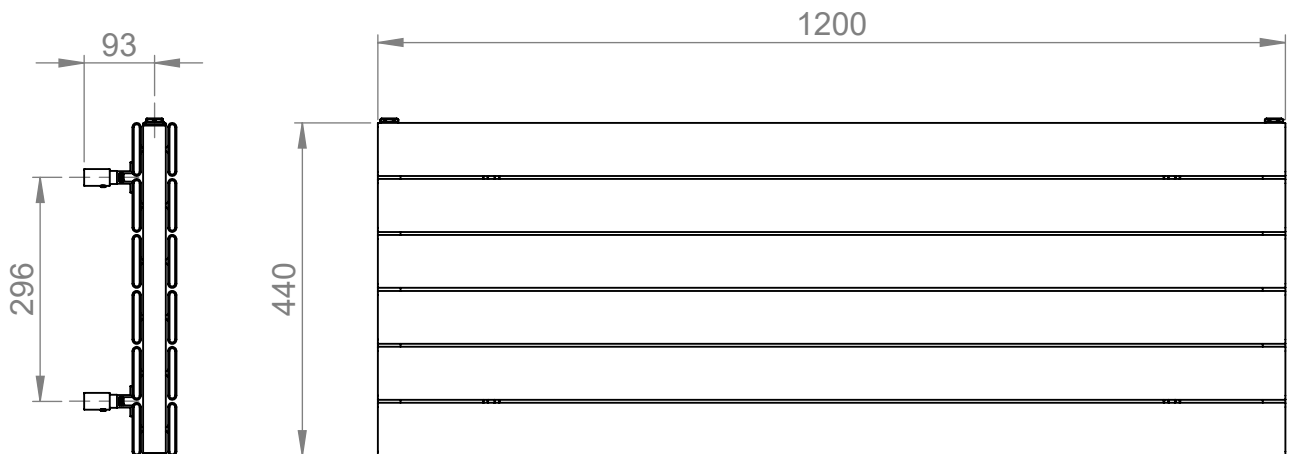
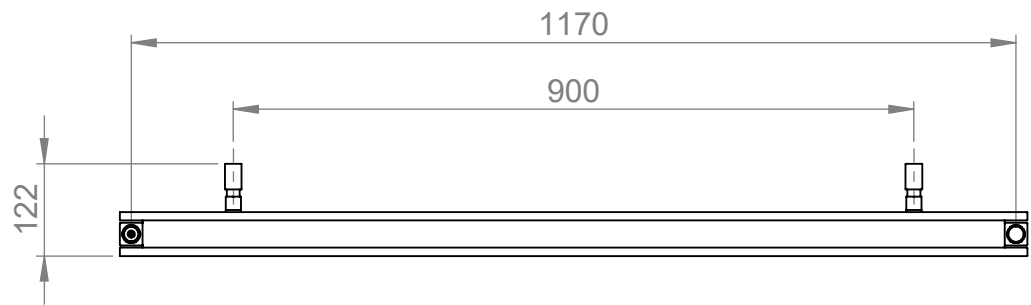
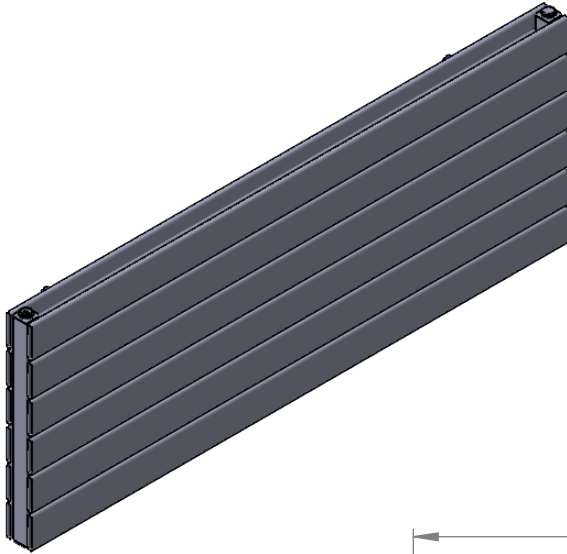
# Flyline DR002DP 440x1200x122mm

Height: 440mm  
Width: 1200mm  
Depth: 122mm  
Weight HO: kg  
EO: kg

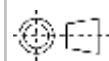
Tube  $\phi$  : 30mm sq & 70x58mm  
Pipe Centres: 1170mm  
Elec. element if specified: N/A  
Output @ 50°C  $\Delta$  T Watts: 1514W  
BTUs: 5163

All dimensions in millimetres

Manufactured from Aluminium



Vogue UK Ltd. reserve the right to alter specifications without prior notice.  
ALL MEASUREMENTS ARE NOMINAL DIMENSIONS ONLY, AND ARE NOT BINDING.



**SCALE 1:10**

 **VOGUE UK**  
TOWEL WARMERS & RADIATORS

Strawberry Lane, Willenhall  
West Midlands WV13 3RS  
Tel: 01902 387000 Fax: 01902 387001  
e-mail: sales@vogueuk.co.uk www.vogueuk.co.uk