

# ELTB12V - Square 40x500x100mm

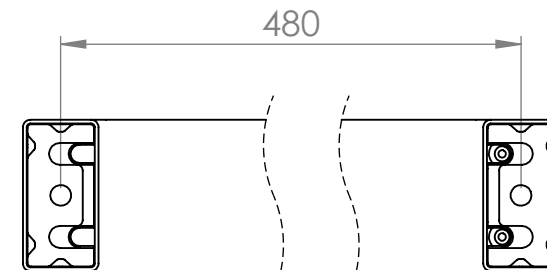
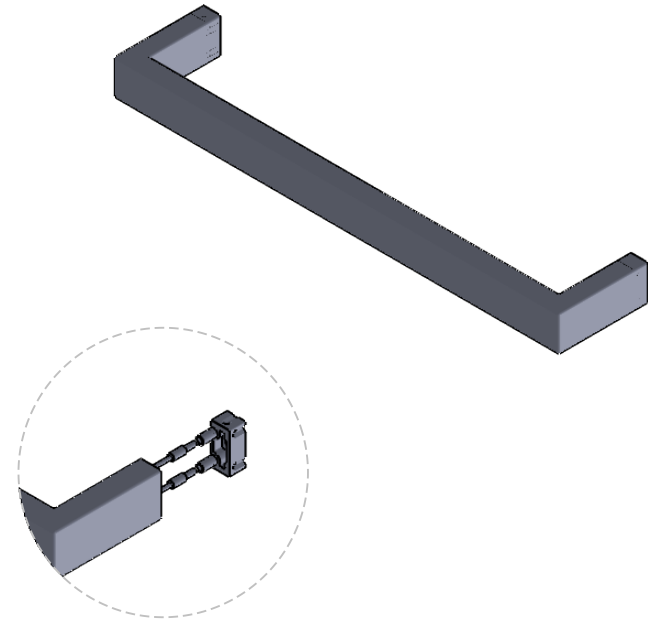
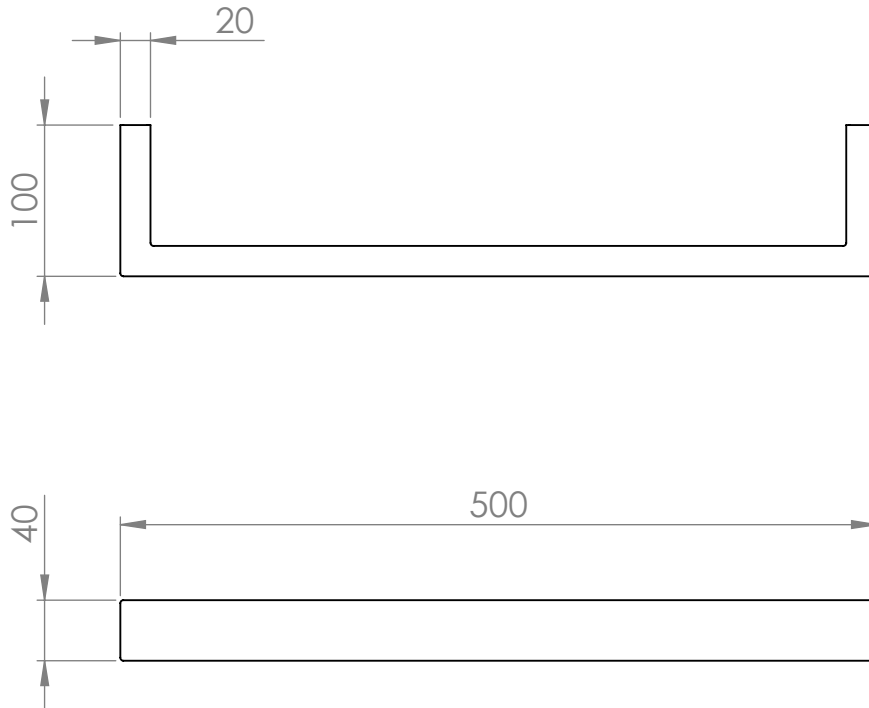
Height: 40mm  
Width: 500mm  
Depth: 100mm

Tube  $\phi$ : 20x40mm  
Elec. element if specified: 10W



**VOGUE UK**  
TOWEL WARMERS & RADIATORS

Manufactured from Stainless Steel



Detail view of wall fixings  
1:2 Scale

Vogue UK Ltd. reserve the right to alter specifications without prior notice.  
**ALL MEASUREMENTS ARE NOMINAL DIMENSIONS ONLY, AND ARE NOT BINDING.**

Strawberry Lane Industrial Estate  
Willenhall, West Midlands WV13 3RS

Tel: 01902 387000 Fax: 01902 387001  
e-mail: sales@vogueuk.co.uk www.vogueuk.co.uk

ALL DIMENSIONS IN MILLIMETRES

**SCALE 1:5**

