

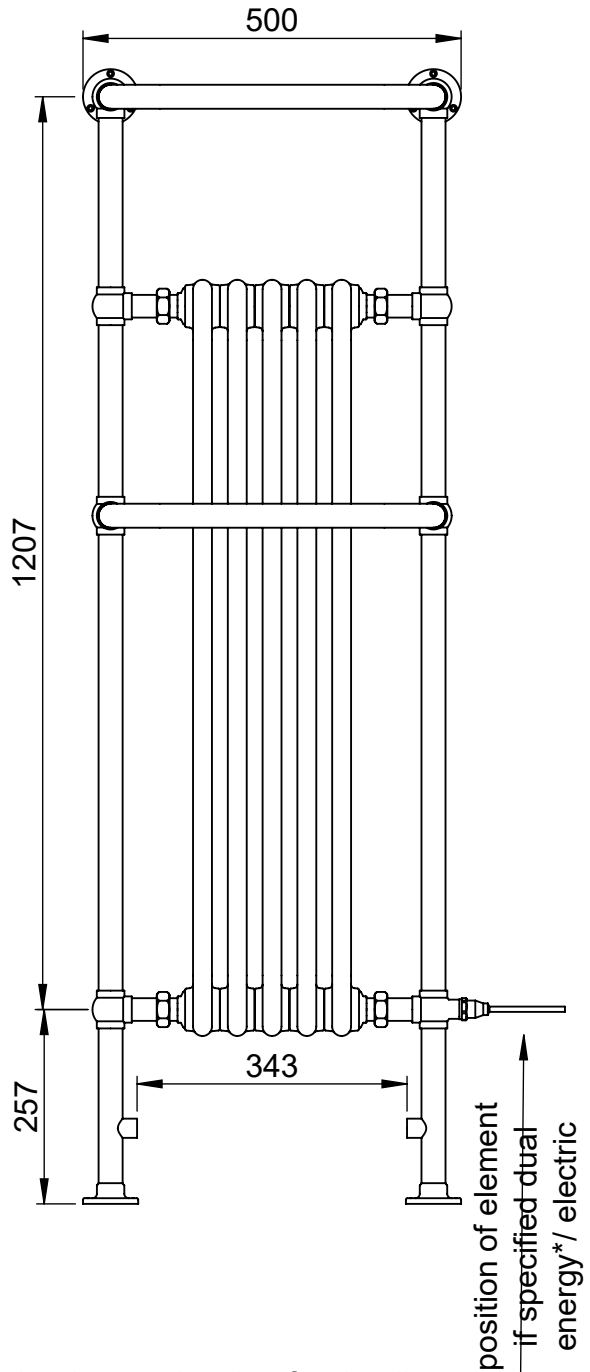
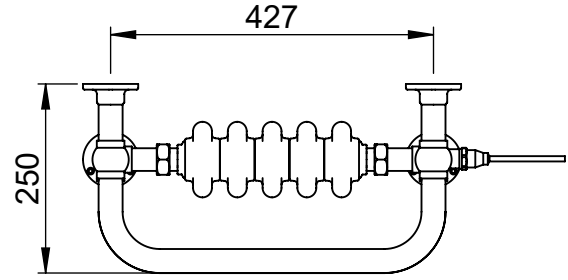
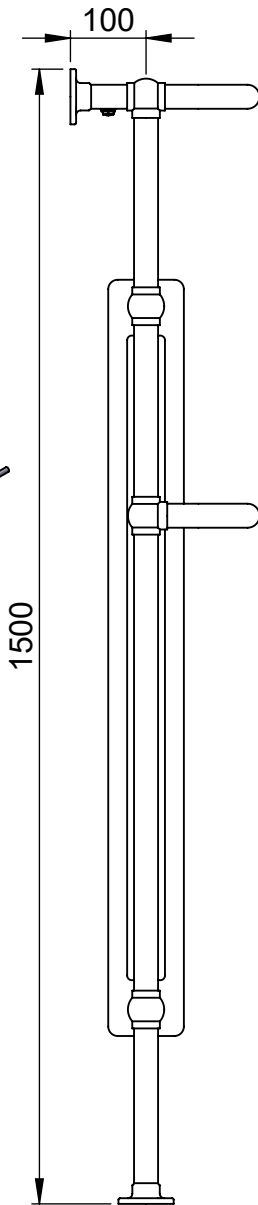
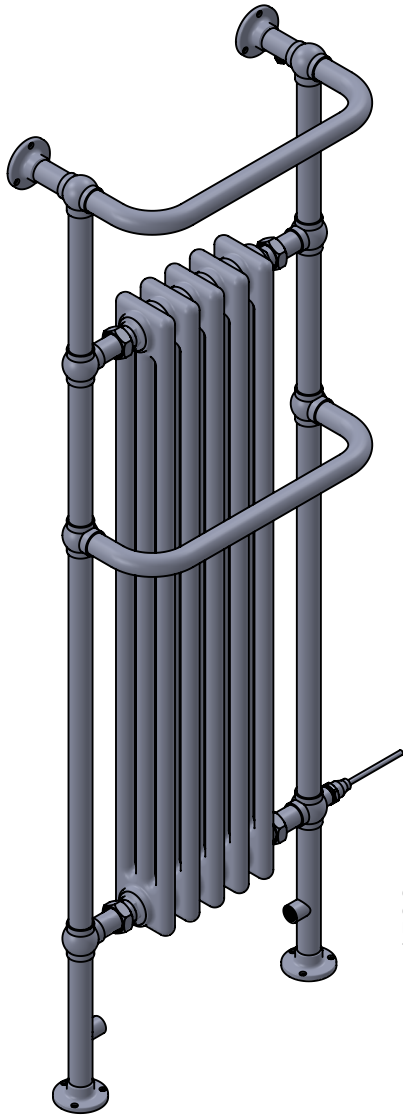
Regency Tall LG013FW-MS 1500x500

Height: 1500
Width: 500
Depth: 250
Weight HO: 14.5 kg
EO: 24.5 kg

Tube ϕ : 31.8
Face-Face Connections: 343
Elec. element if specified: 400
Output @ 50° C Δ T Watts: 815
BTUs: 2781

Manufactured from Mild Steel

All dimensions in millimetres



SCALE 1:10



Vogue UK Ltd. reserve the right to alter specifications without prior notice.
ALL MEASUREMENTS ARE NOMINAL DIMENSIONS ONLY, AND ARE NOT BINDING.

*Dual energy models require a conversion-tee, consult relevant drawing for details.



VOGUE UK
TOWEL WARMERS & RADIATORS

Strawberry Lane, Willenhall
West Midlands WV13 3RS
Tel: 01902 387000 Fax: 01902 387001
e-mail: sales@vogueuk.co.uk www.vogueuk.co.uk