

# MD001H

Tube  $\phi$ : 30X40 D X 25 mm

Electrical element: 100 W

Weight: 7 kg

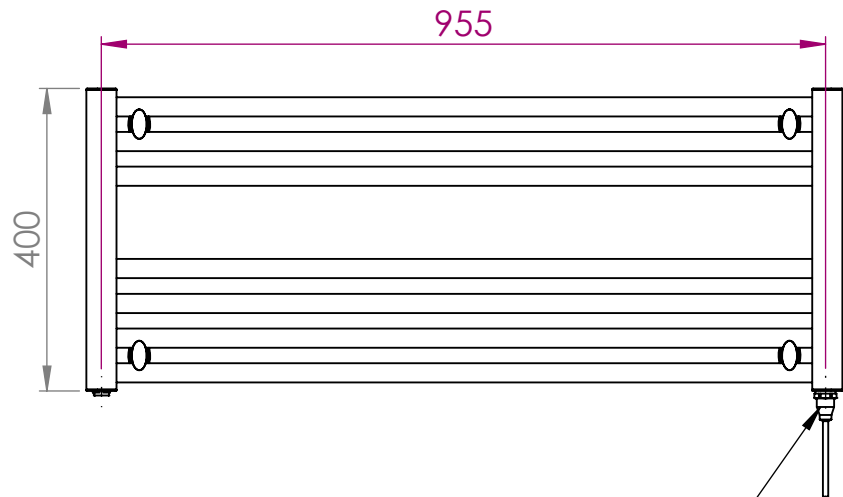
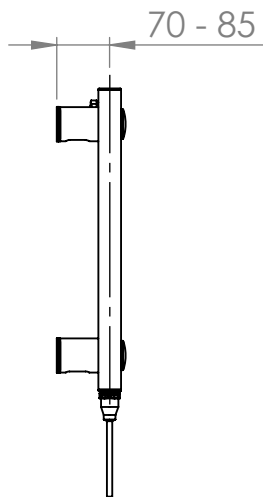
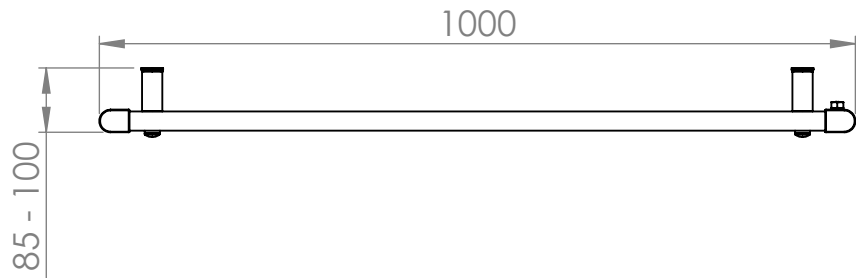
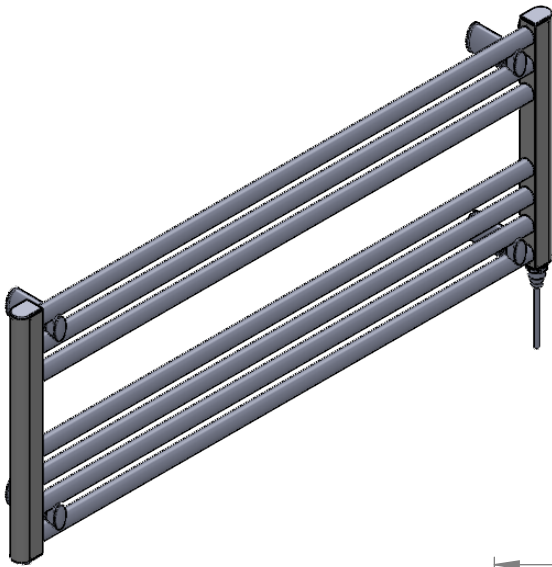
Output @50°C $\Delta$ T: 200 W  
682 BTUs

Height: 400 mm

Width: 1000 mm

Depth: 85-100 mm

Pipe Centres: 955 mm



Position of electric element if specified EO or HE



All dimensions in millimetres

Manufactured from Mild Steel

Revision: 001

Approved by: IF

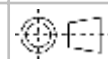
Drawn on: 24/04/2024

www.vogueuk.co.uk  
01902 387000  
sales@vogueuk.co.uk

www.vogueuk.eu  
01902 387035  
exportsales@vogueuk.co.uk

www.vogueuk.com  
T: 508 887 8771 F: 508 887 8774  
info@vogueuk.com

Vogue UK Ltd. reserve the right to alter specifications without prior notice.  
ALL MEASUREMENTS ARE NOMINAL DIMENSIONS ONLY, AND ARE NOT BINDING.



Scale 1:10