

MD001H

Tube \varnothing : 30x40 D + 25 mm

Electrical element: 125 W

Weight: 8 kg

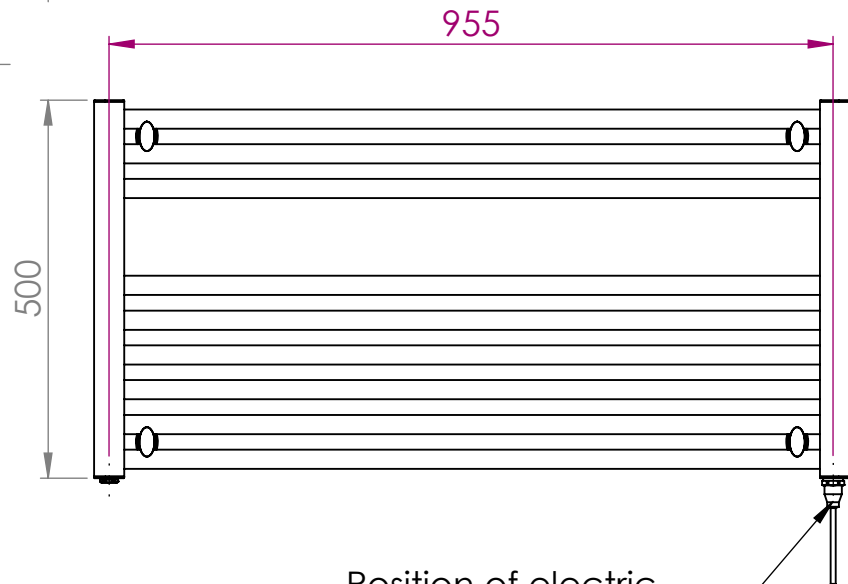
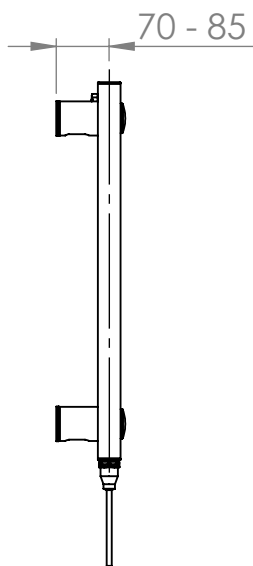
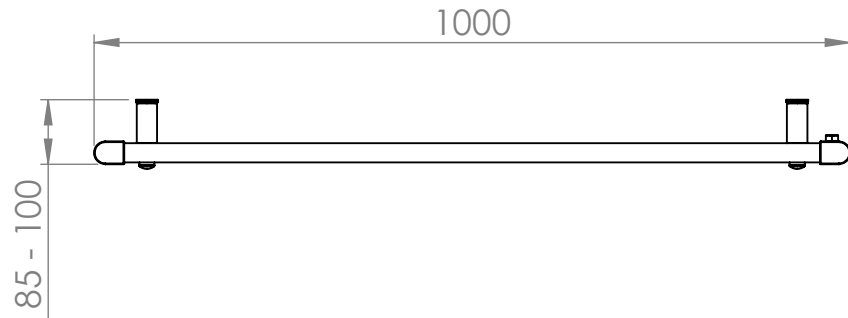
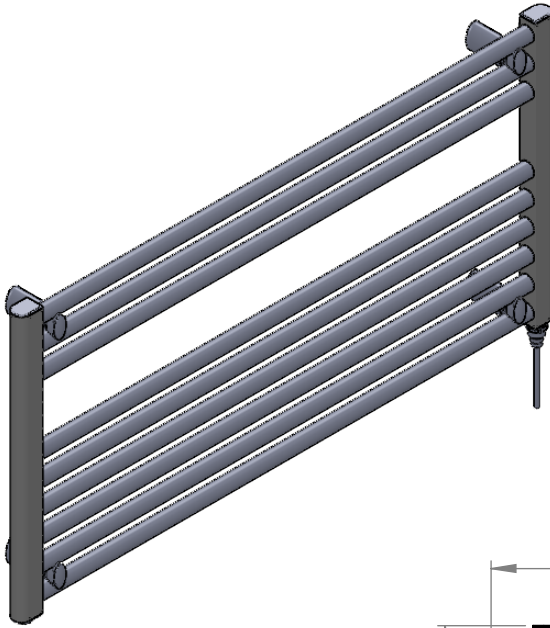
Output @50°C Δ T: 256 W
874 BTUs

Height: 500 mm

Width: 1000 mm

Depth: 85-100 mm

Pipe Centres: 955 mm



Position of electric element if specified EO or HE



All dimensions in millimetres

Manufactured from Mild Steel

Revision: 001

Approved by: IF

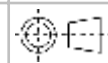
Drawn on: 23/04/2024

www.vogueuk.co.uk
01902 387000
sales@vogueuk.co.uk

www.vogueuk.eu
01902 387035
exportsales@vogueuk.co.uk

www.vogueuk.com
T: 508 887 8771 F: 508 887 8774
info@vogueuk.com

Vogue UK Ltd. reserve the right to alter specifications without prior notice.
ALL MEASUREMENTS ARE NOMINAL DIMENSIONS ONLY, AND ARE NOT BINDING.



Scale 1:10