

# Axis - MD062

Tube: 30 x 40 D section  
&  $\varnothing$  22mm

Electrical element: 200 W

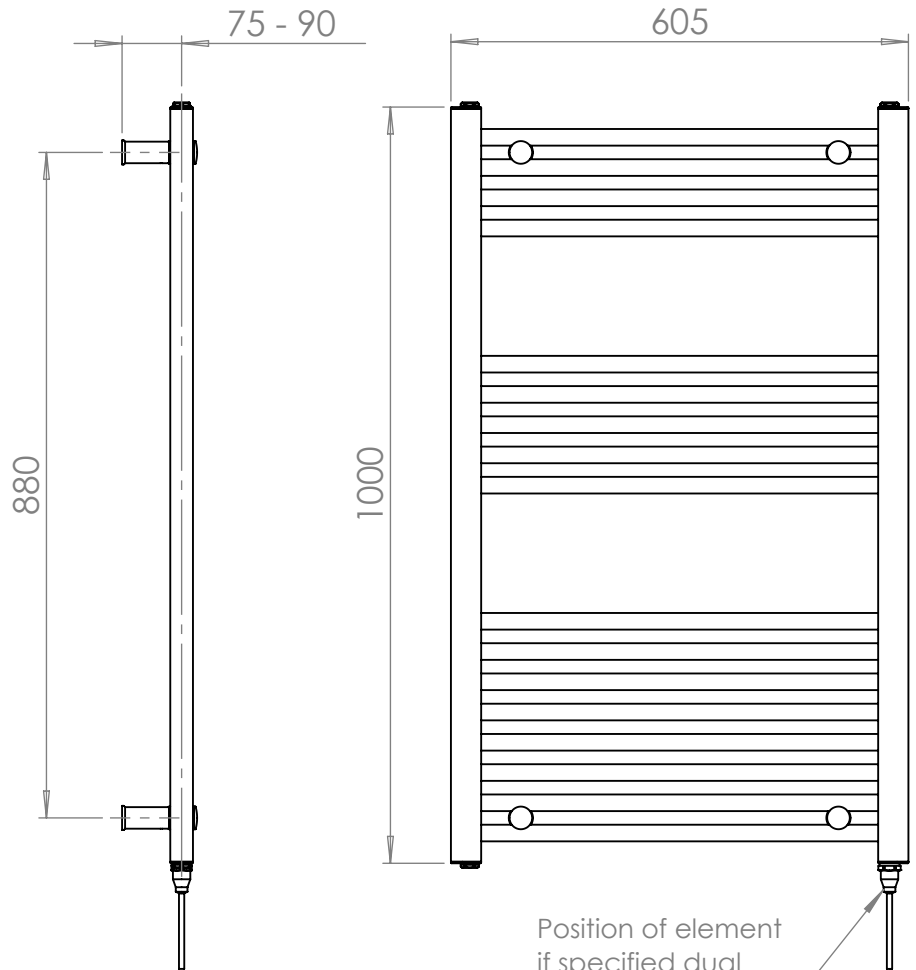
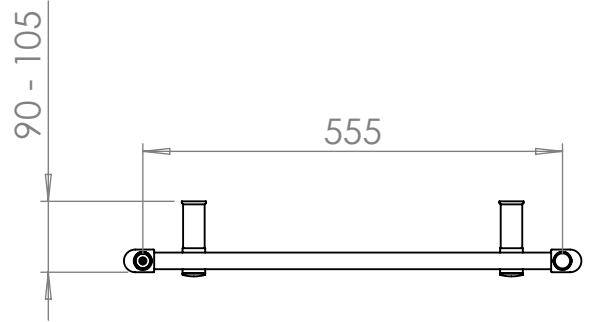
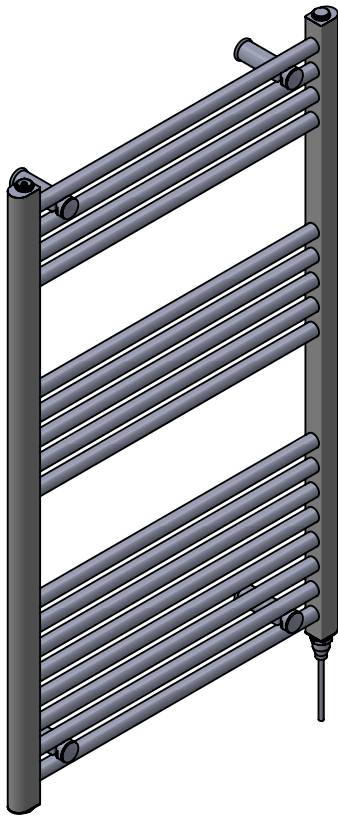
Output @50°C $\Delta$ T: 378 W  
1288 BTUs

Height: 1000mm

Width: 605mm

Depth: 90 - 105mm

Pipe centres: 555mm



\*Dual energy models require a conversion tee (AC003). Consult relevant drawing for details



All dimensions in millimetres

Manufactured from Mild Steel

Revision: 001

Approved by:

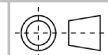
Drawn on: 01/2024

www.vogueuk.co.uk  
01902 387000  
sales@vogueuk.co.uk

www.vogueuk.eu  
01902 387035  
exportsales@vogueuk.co.uk

www.vogueuk.com  
T: 508 887 8771 F: 508 887 8774  
info@vogueuk.com

Vogue UK Ltd. reserve the right to alter specifications without prior notice.  
ALL MEASUREMENTS ARE NOMINAL DIMENSIONS ONLY, AND ARE NOT BINDING.



Scale 1:10