

# Axis - MD062

Tube: 30 x 40 D section  
& Ø 22mm

Electrical element: 125 W

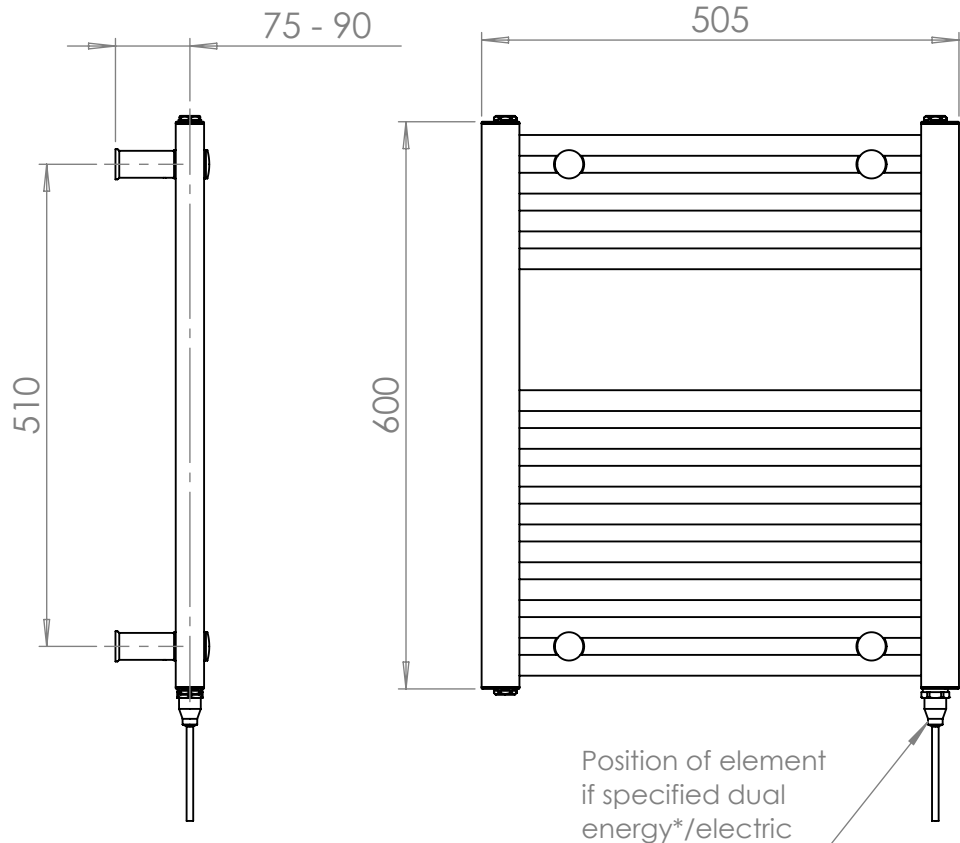
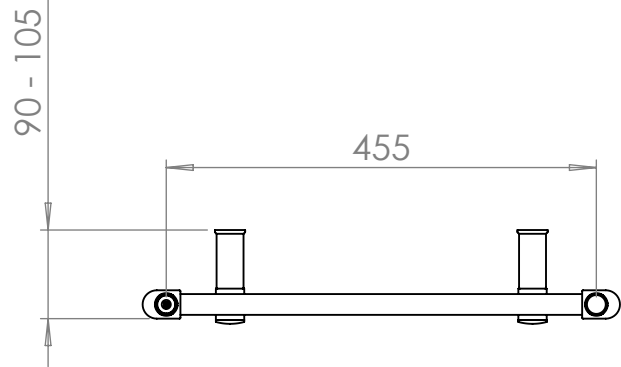
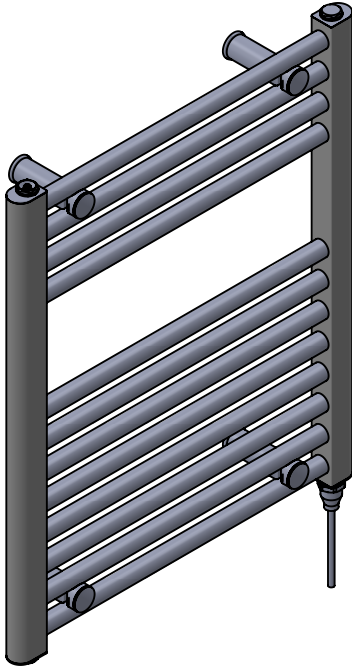
Output @50°CΔT: 208 W  
710 BTUs

Height: 600mm

Width: 505mm

Depth: 90- 105 mm

Pipe centres: 455mm



\*Dual energy models require a conversion tee (AC003). Consult relevant drawing for details

	All dimensions in millimetres		Manufactured from Mild Steel	
	Revision: 001		Approved by:	
	<a href="http://www.vogueuk.co.uk">www.vogueuk.co.uk</a> 01902 387000 sales@vogueuk.co.uk		<a href="http://www.vogueuk.eu">www.vogueuk.eu</a> 01902 387035 exportsales@vogueuk.co.uk	
		Drawn on: 01/2024		
		<a href="http://www.vogueuk.com">www.vogueuk.com</a> T: 508 887 8771 F: 508 887 8774 info@vogueuk.com		
Vogue UK Ltd. reserve the right to alter specifications without prior notice. ALL MEASUREMENTS ARE NOMINAL DIMENSIONS ONLY, AND ARE NOT BINDING.				Scale 1:8