

# LG010A MS0748498

Tube  $\phi$ : 31.8 mm

Electrical element: 100 W

Weight: 5.8 kg  
Volume: 2.8 l

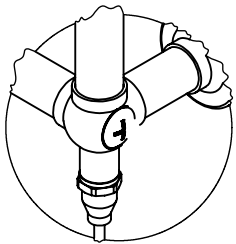
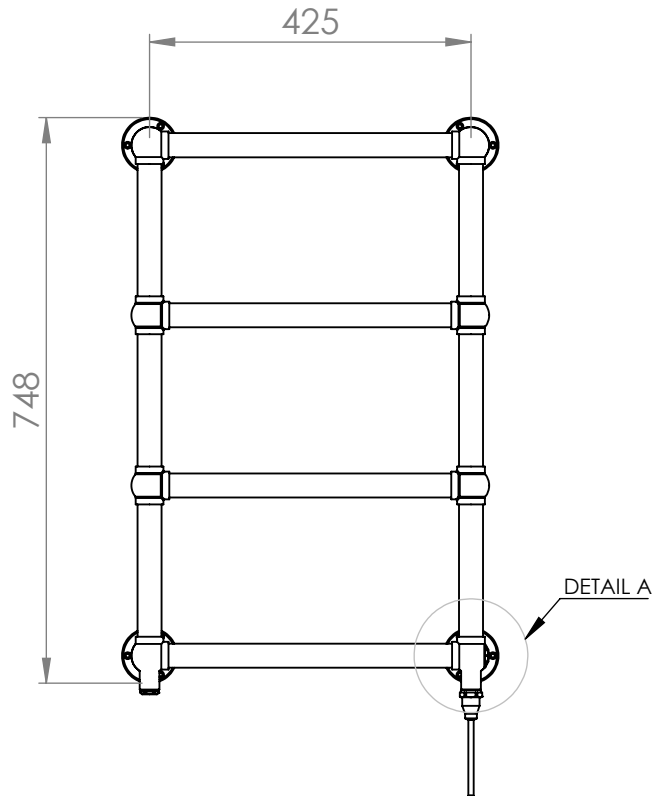
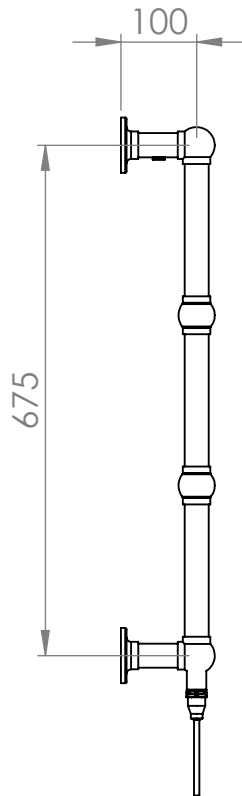
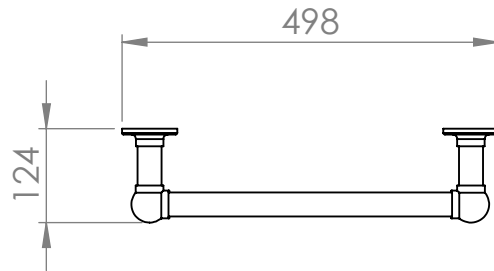
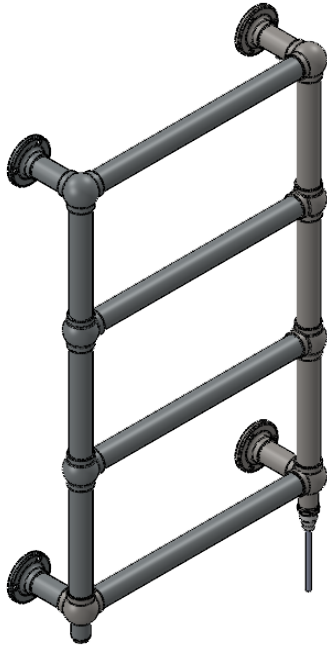
CP output @50°C $\Delta$ T:  
MB output @50°C $\Delta$ T:

Height: 748 mm

Width: 498 mm

Depth: 124 mm

Pipe Centres:



DETAIL A  
SCALE 1 : 5



All dimensions in millimetres

Manufactured from Mild Steel.

Revision: 001

Approved by:

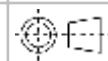
Drawn on: 24/07/2024

www.vogueuk.co.uk  
01902 387000  
sales@vogueuk.co.uk

www.vogueuk.eu  
01902 387035  
exportsales@vogueuk.co.uk

www.vogueuk.com  
T: 508 887 8771 F: 508 887 8774  
info@vogueuk.com

Vogue UK Ltd. reserve the right to alter specifications without prior notice.  
ALL MEASUREMENTS ARE NOMINAL DIMENSIONS ONLY, AND ARE NOT BINDING.



Scale 1:10  
Tolerance: +/- 1.5%