

# LG010B (REV2) MS1193498

Tube  $\phi$ : 31.8 mm

Electrical element: 125 W

Weight: 9.5 kg  
Volume: 3.8 l

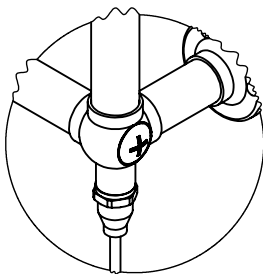
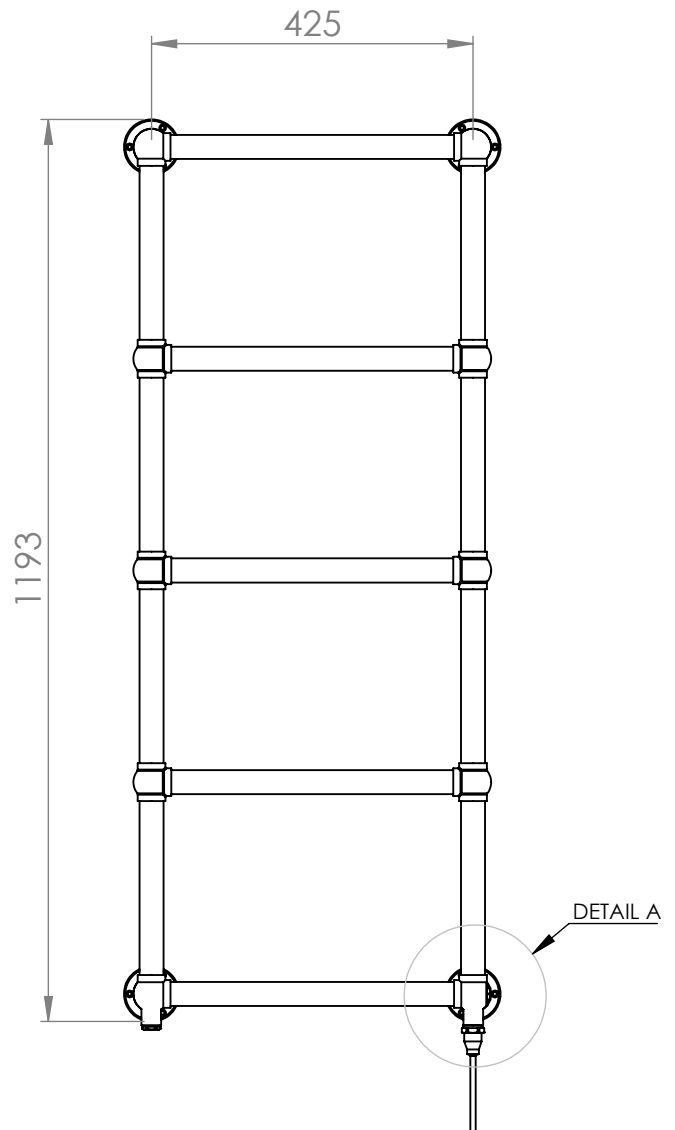
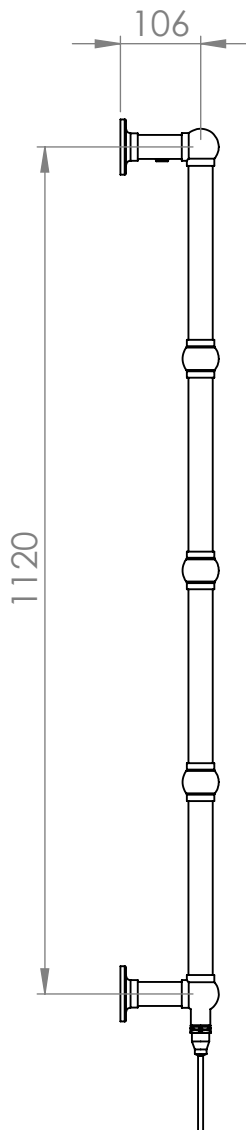
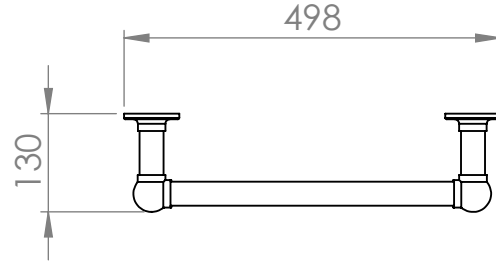
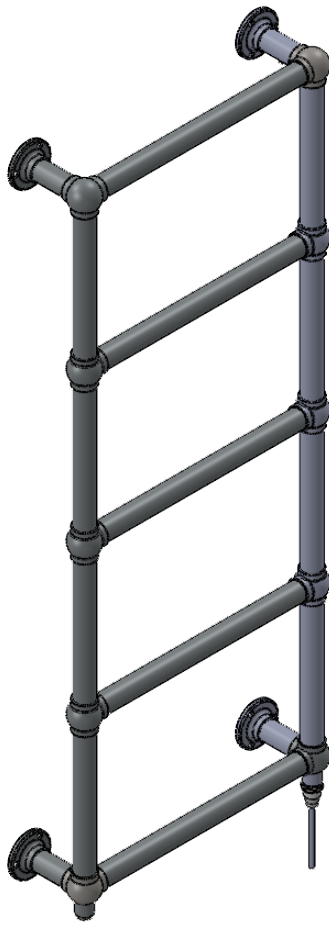
Output @50°C $\Delta$ T:

Height: 1193 mm

Width: 498 mm

Depth: 130 mm

Pipe Centres:



DETAIL A  
SCALE 1 : 5



All dimensions in millimetres

Manufactured from Mild Steel.

Revision: 002

Approved by:

Drawn on: 30/07/2024

www.vogueuk.co.uk  
01902 387000  
sales@vogueuk.co.uk

www.vogueuk.eu  
01902 387035  
exportsales@vogueuk.co.uk

www.vogueuk.com  
T: 508 887 8771 F: 508 887 8774  
info@vogueuk.com

Vogue UK Ltd. reserve the right to alter specifications without prior notice.  
ALL MEASUREMENTS ARE NOMINAL DIMENSIONS ONLY, AND ARE NOT BINDING.

Scale 1:10  
Tolerance: +/- 1.5%