

LG010B (REV2) MS1193498

Tube ϕ : 31.8 mm

Electrical element: 125 W

Weight: 9.5 kg
Volume: 3.8 l

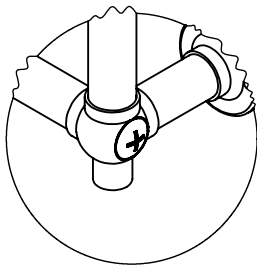
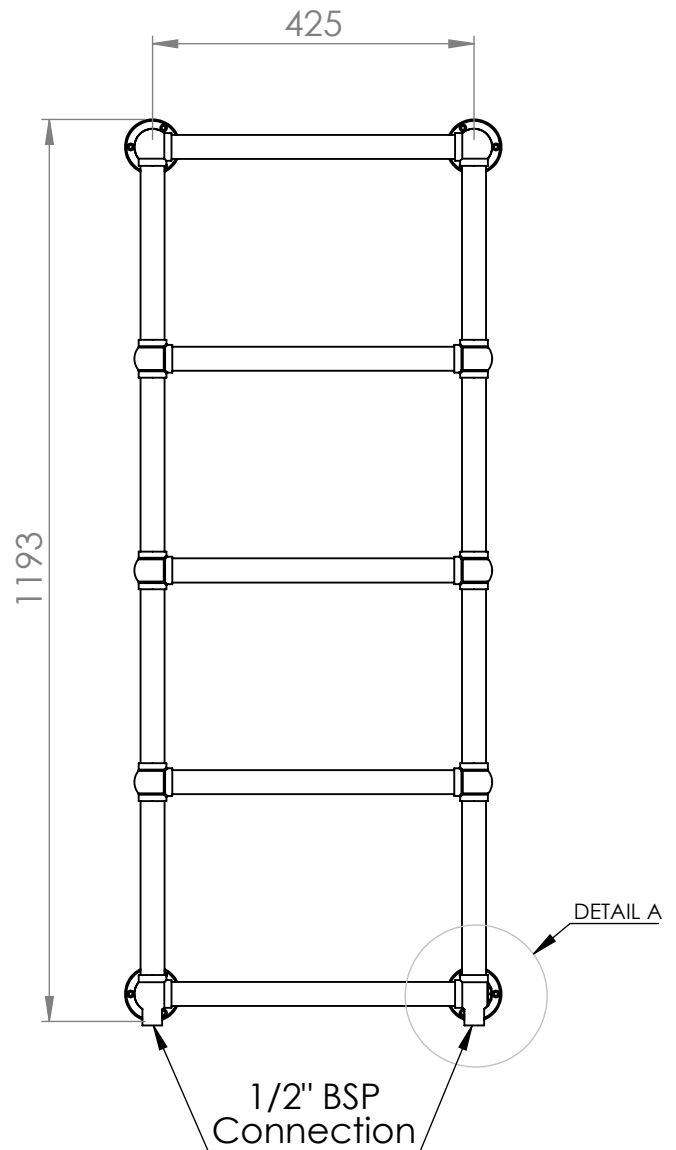
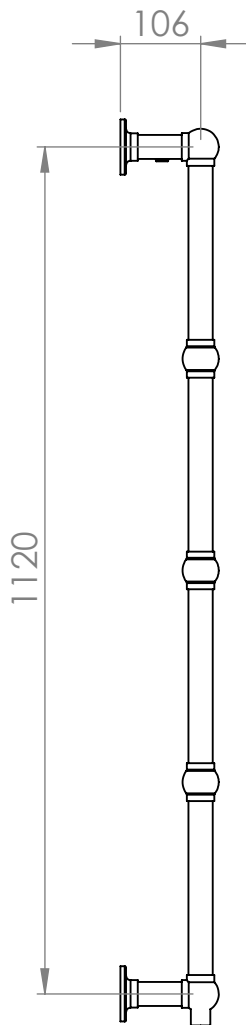
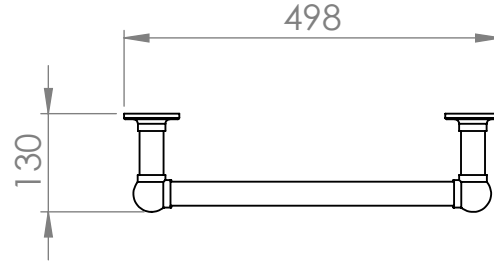
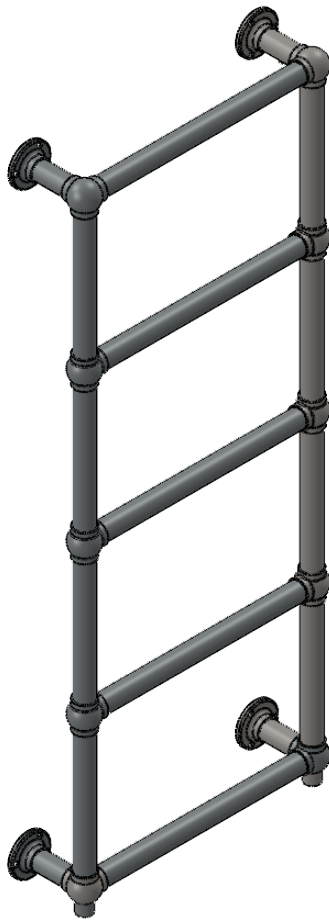
Output @50°C Δ T: 268 W 916 BTUs

Height: 1193 mm

Width: 498 mm

Depth: 130 mm

Pipe Centres: 425 mm



DETAIL A
SCALE 1 : 5



All dimensions in millimetres

Manufactured from Mild Steel.

Revision: 002

Approved by:

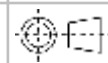
Drawn on: 30/07/2024

www.vogueuk.co.uk
01902 387000
sales@vogueuk.co.uk

www.vogueuk.eu
01902 387035
exportsales@vogueuk.co.uk

www.vogueuk.com
T: 508 887 8771 F: 508 887 8774
info@vogueuk.com

Vogue UK Ltd. reserve the right to alter specifications without prior notice.
ALL MEASUREMENTS ARE NOMINAL DIMENSIONS ONLY, AND ARE NOT BINDING.



Scale 1:10
Tolerance: +/- 1.5%