

# LG010C MS1598498

Tube  $\phi$ : 31.8 mm

Electrical element: 150 W

Weight: 11.6 kg  
Volume: 4.6 l

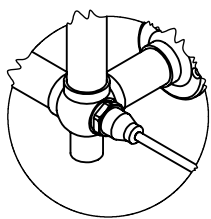
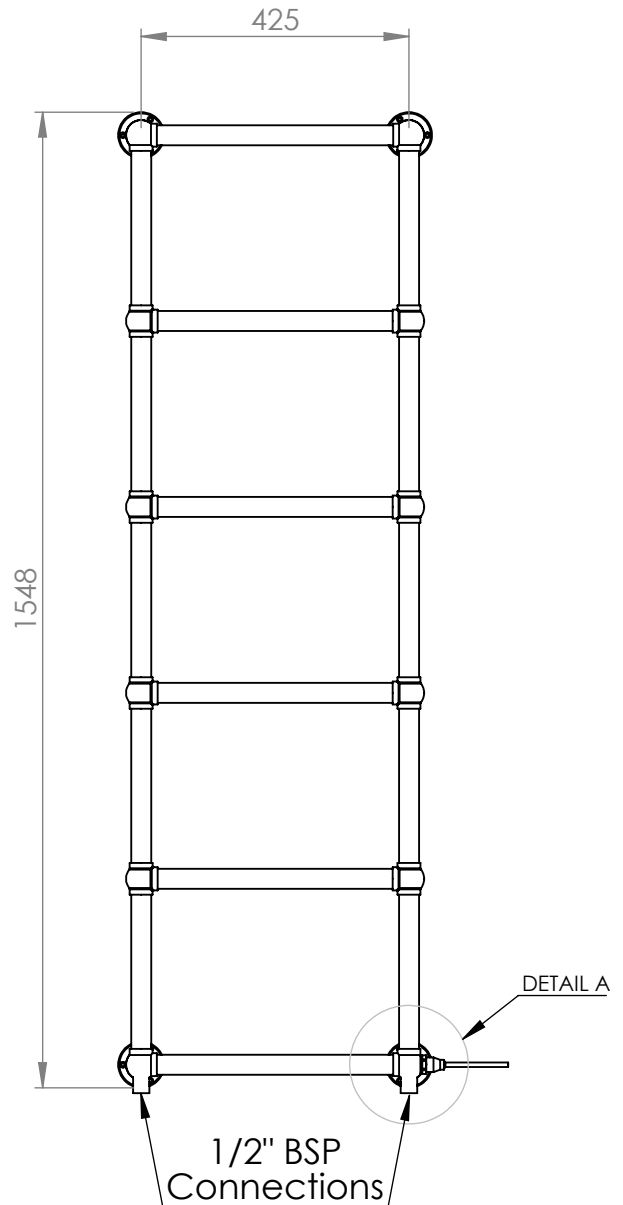
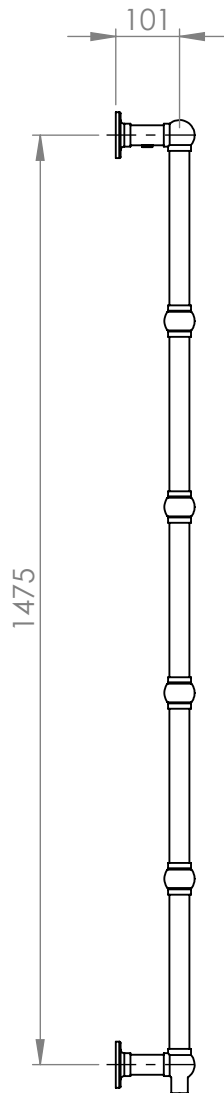
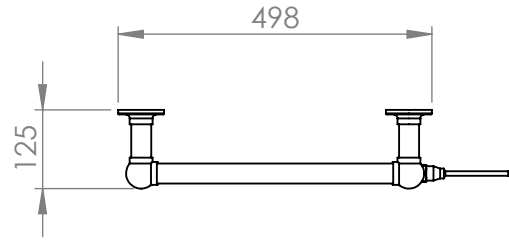
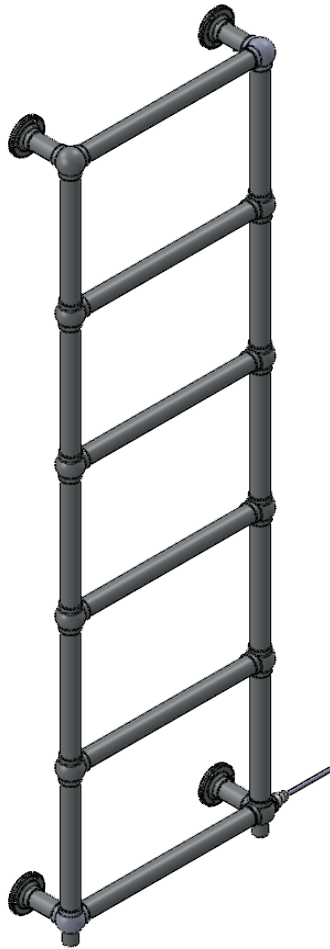
CP output @50°C $\Delta$ T: 247 W 843 BTUs  
MB output @50°C $\Delta$ T: 313 W 1067 BTUs

Height: 1548 mm

Width: 498 mm

Depth: 125 mm

Pipe Centres: 425 mm



DETAIL A  
SCALE 1 : 6



All dimensions in millimetres

Manufactured from Mild Steel.

Revision: 001

Approved by:

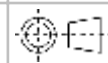
Drawn on: 31/07/2024

www.vogueuk.co.uk  
01902 387000  
sales@vogueuk.co.uk

www.vogueuk.eu  
01902 387035  
exportsales@vogueuk.co.uk

www.vogueuk.com  
T: 508 887 8771 F: 508 887 8774  
info@vogueuk.com

Vogue UK Ltd. reserve the right to alter specifications without prior notice.  
ALL MEASUREMENTS ARE NOMINAL DIMENSIONS ONLY, AND ARE NOT BINDING.



Scale 1:12  
Tolerance +/- 1.5%