

Regency LG004-MS 963x763

Height: 963

Width: 763

Depth: 230

Weight HO: 24.5 kg

EO: 34.5 kg

Tube ϕ : 31.8

Face-Face Connections: 618

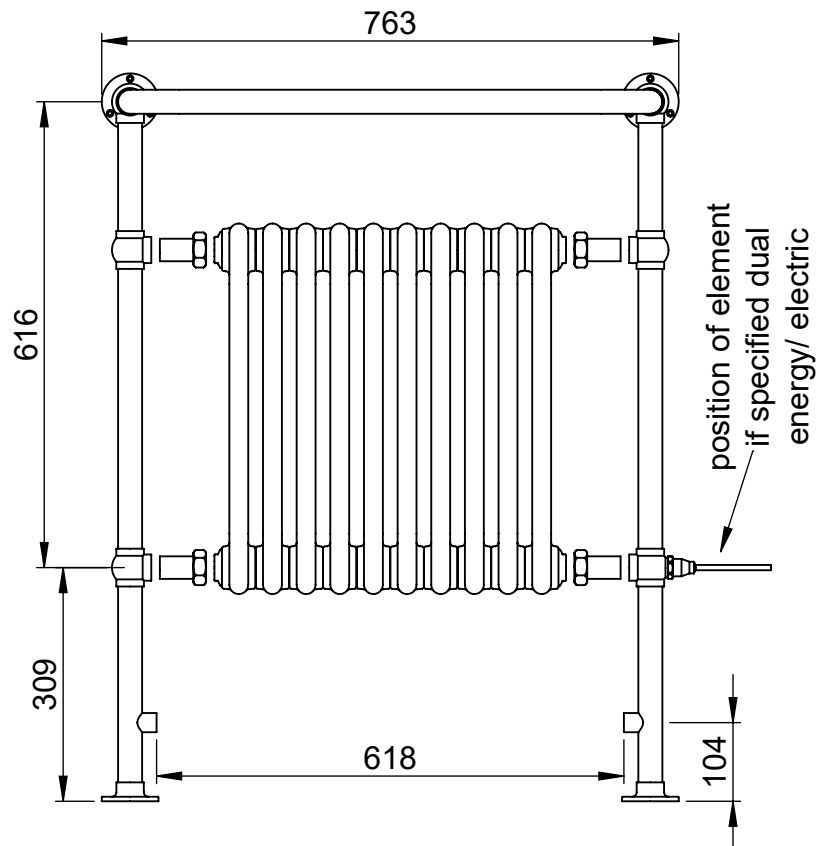
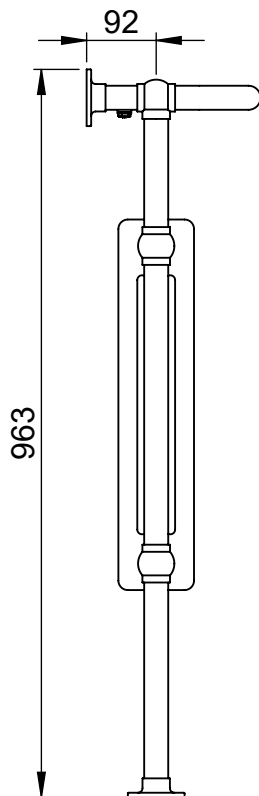
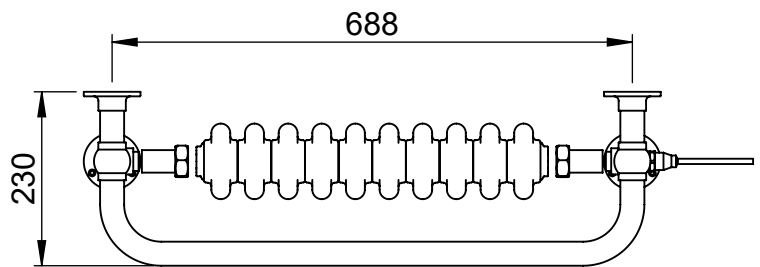
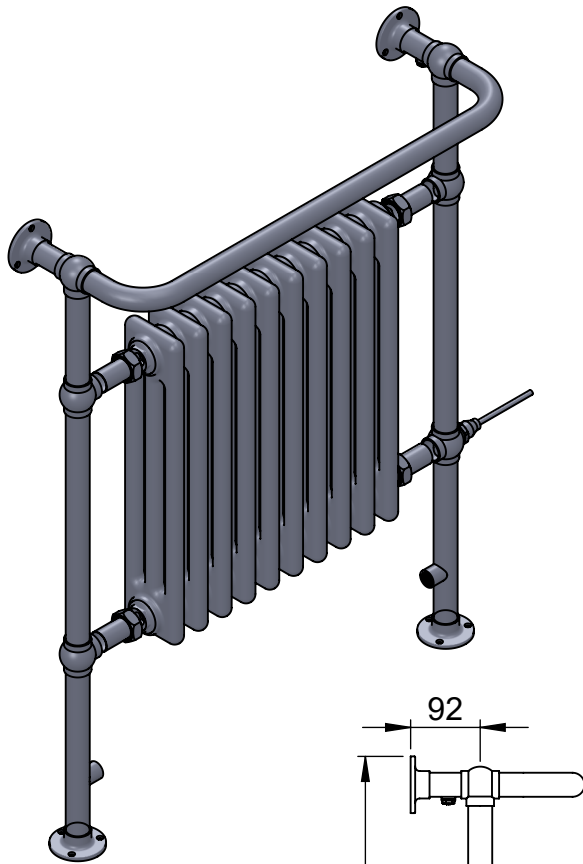
Elec. element if specified: 400

Output @ 50°C Δ T Watts: 653

BTUs: 2228

All dimensions in millimetres

Manufactured from Mild Steel



Vogue UK Ltd. reserve the right to alter specifications without prior notice.
ALL MEASUREMENTS ARE NOMINAL DIMENSIONS ONLY, AND ARE NOT BINDING.



SCALE 1:10



VOGUE UK
TOWEL WARMERS & RADIATORS

Strawberry Lane, Willenhall
West Midlands WV13 3RS
Tel: 01902 387000 Fax: 01902 387001
e-mail: sales@vogueuk.co.uk www.vogueuk.co.uk