

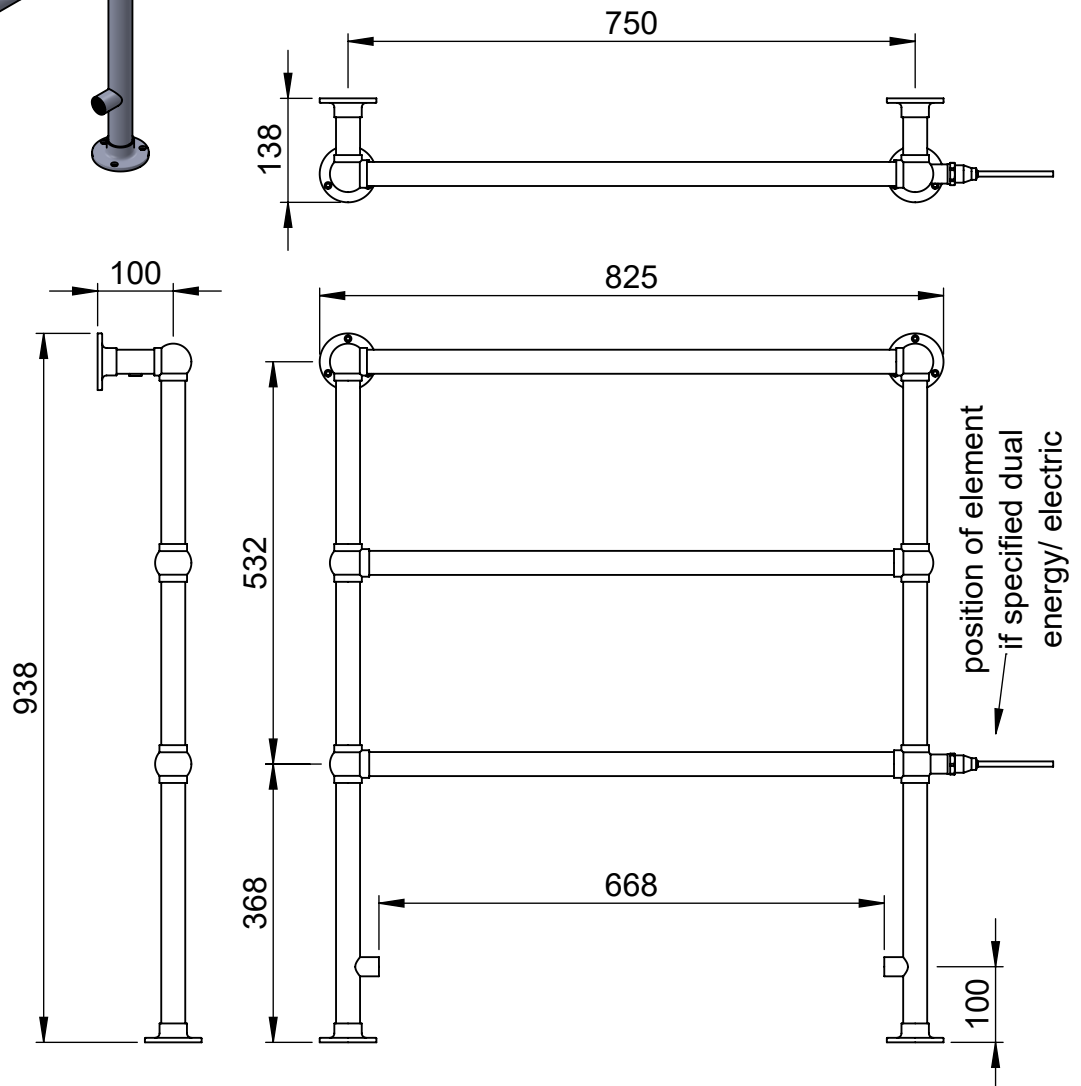
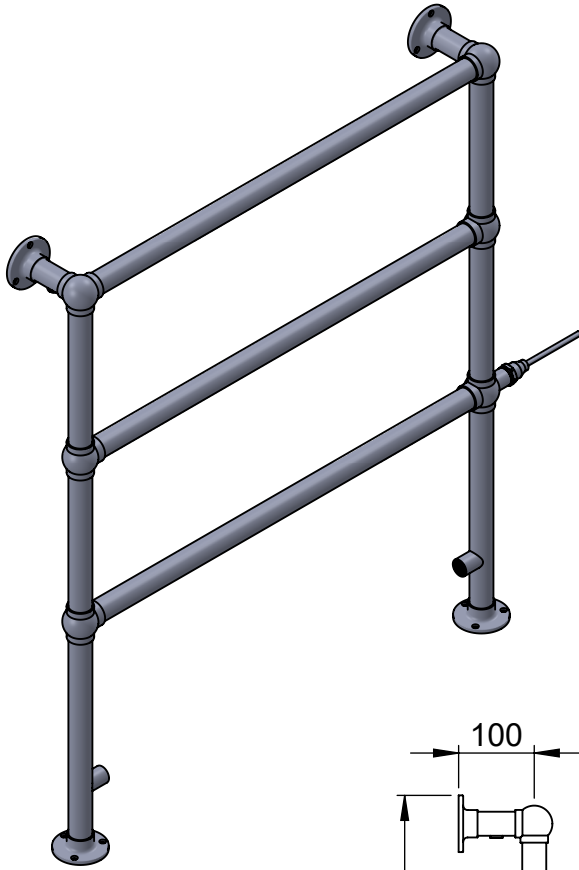
# Ballerina LG024B-BR 938x825

Height: 938  
Width: 825  
Depth: 138  
Weight HO: kg  
EO: kg

Tube  $\phi$  : 31.8  
Face-Face Connections: 668  
Elec. element if specified: 150  
Output @ 50°C  $\Delta$  T Watts: 207  
BTUs: 706

All dimensions in millimetres

Manufactured from ISO/CEN CuZn36As (BS CZ126) brass tube



Vogue UK Ltd. reserve the right to alter specifications without prior notice.  
ALL MEASUREMENTS ARE NOMINAL DIMENSIONS ONLY, AND ARE NOT BINDING.



SCALE 1:10



**VOGUE UK**  
TOWEL WARMERS & RADIATORS

Strawberry Lane, Willenhall  
West Midlands WV13 3RS  
Tel: 01902 387000 Fax: 01902 387001  
e-mail: sales@vogueuk.co.uk www.vogueuk.co.uk