

Pearl MD058 800x1000

Height: 800

Width: 1000

Depth: 100

Weight HO: 6.5 kg

EO: 10.5 kg

Tube ϕ : 31.8 + 22

Pipe Centres: 968

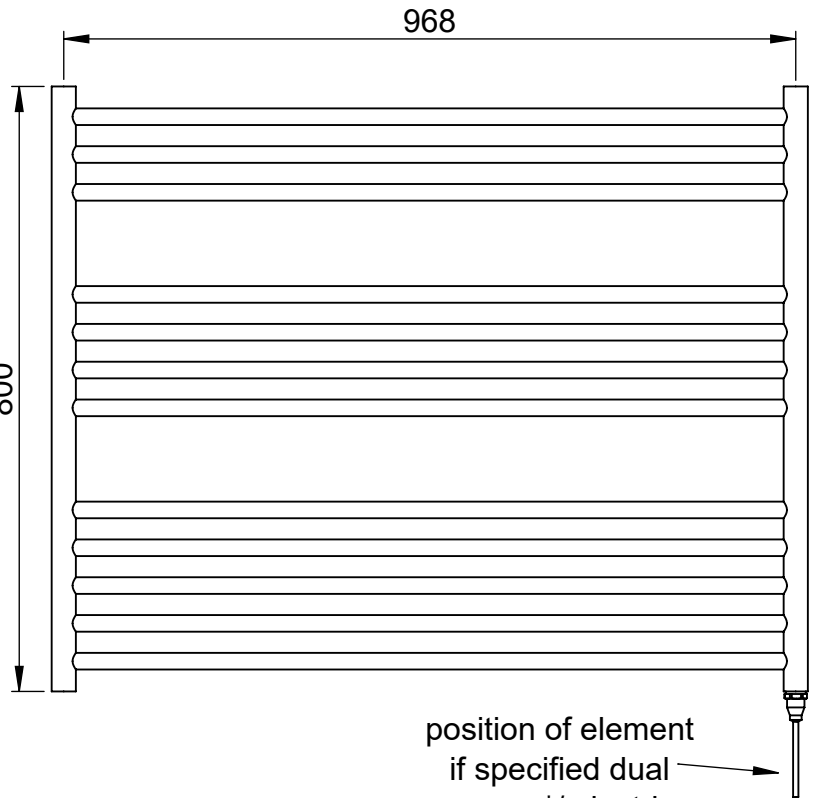
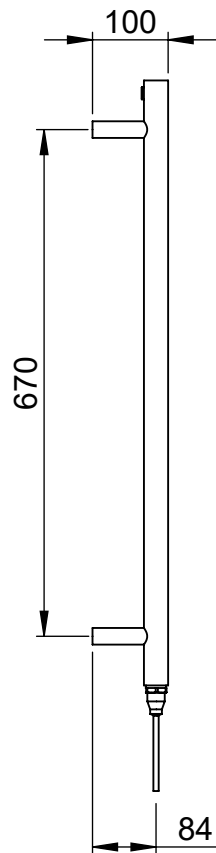
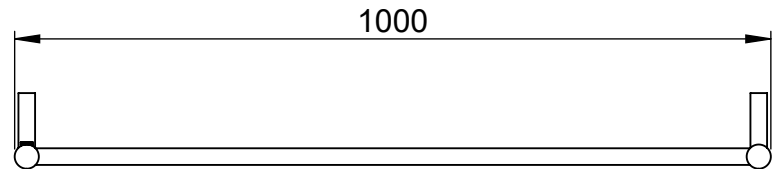
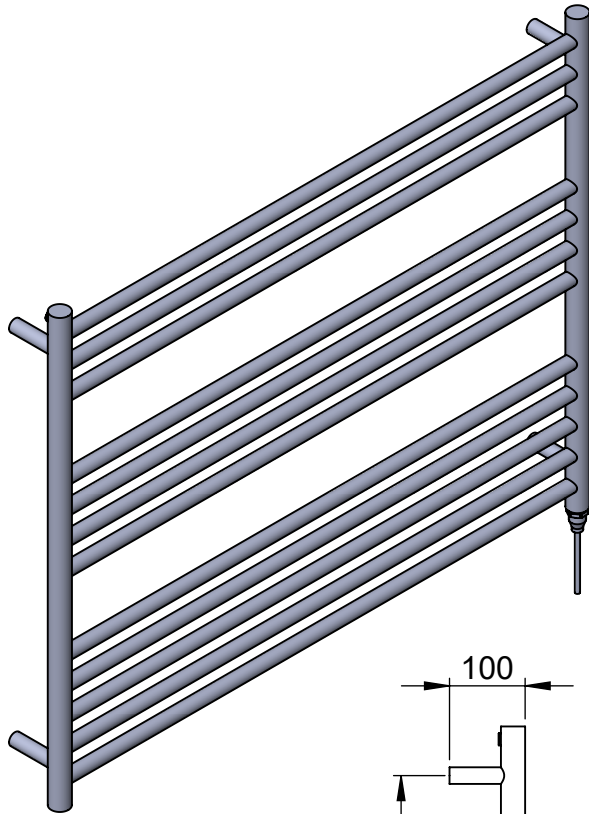
Elec. element if specified: 150

Output @ 50° C Δ T Watts: 682

BTUs: 2327

All dimensions in millimetres

Manufactured from 1.4201/X5CrNi18-10 stainless steel



*Dual energy models require a conversion-tee, consult relevant drawing for details.

Vogue UK Ltd. reserve the right to alter specifications without prior notice.
ALL MEASUREMENTS ARE NOMINAL DIMENSIONS ONLY, AND ARE NOT BINDING.



SCALE 1:10



VOGUE UK
TOWEL WARMERS & RADIATORS

Strawberry Lane, Willenhall
West Midlands WV13 3RS
Tel: 01902 387000 Fax: 01902 387001
e-mail: sales@vogueuk.co.uk www.vogueuk.co.uk