

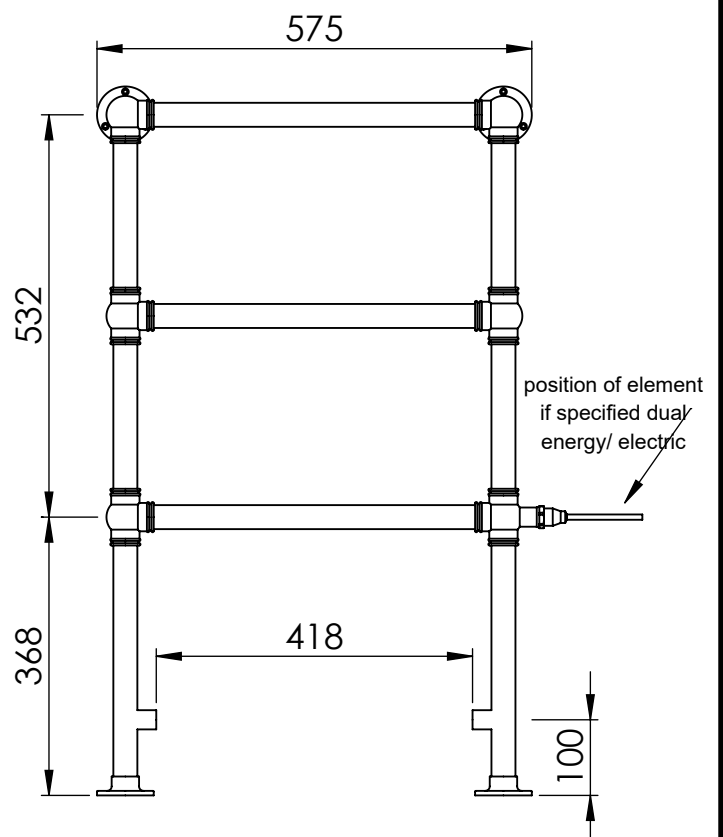
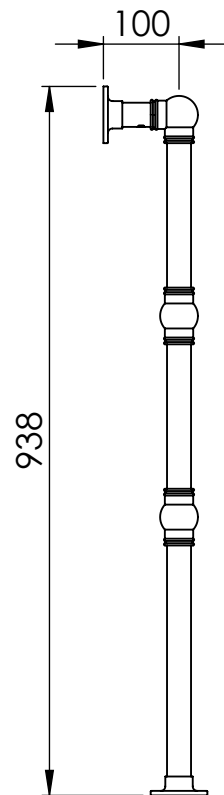
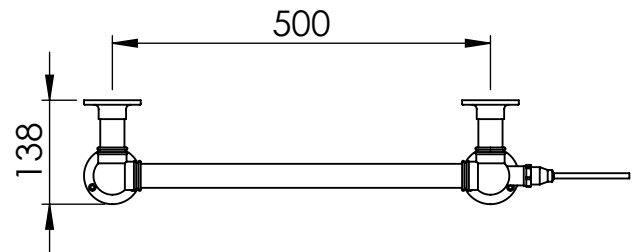
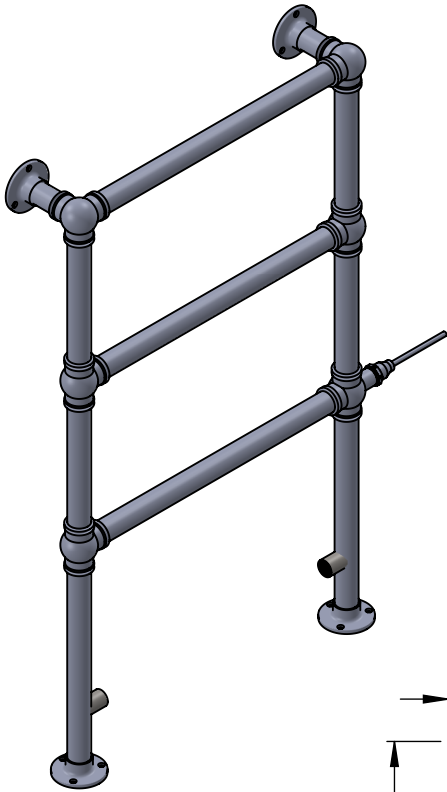
# Ballerina OG003A-BR 938x575

Height: 938  
Width: 575  
Depth: 138  
Weight HO: kg  
EO: kg

Tube  $\phi$  : 31.8  
Face-Face Connections: 418  
Elec. element if specified: 100  
Output @ 50°C  $\Delta$  T Watts: 163  
BTUs: 556

All dimensions in millimetres

Manufactured from ISO/CEN CuZn36As (BS CZ126) brass tube



Vogue UK Ltd. reserve the right to alter specifications without prior notice.  
ALL MEASUREMENTS ARE NOMINAL DIMENSIONS ONLY, AND ARE NOT BINDING.



SCALE 1:10



**VOGUE UK**  
TOWEL WARMERS & RADIATORS

Strawberry Lane, Willenhall  
West Midlands WV13 3RS  
Tel: 01902 387000 Fax: 01902 387001  
e-mail:sales@vogueuk.co.uk www.vogueuk.co.uk