

# Ballerina OG003E-BR 1238x675

Height: 1238

Width: 675

Depth: 138

Weight HO: 11.5 kg

EO: 17.5 kg

Tube  $\phi$  : 31.8

Face-Face Connections: 518

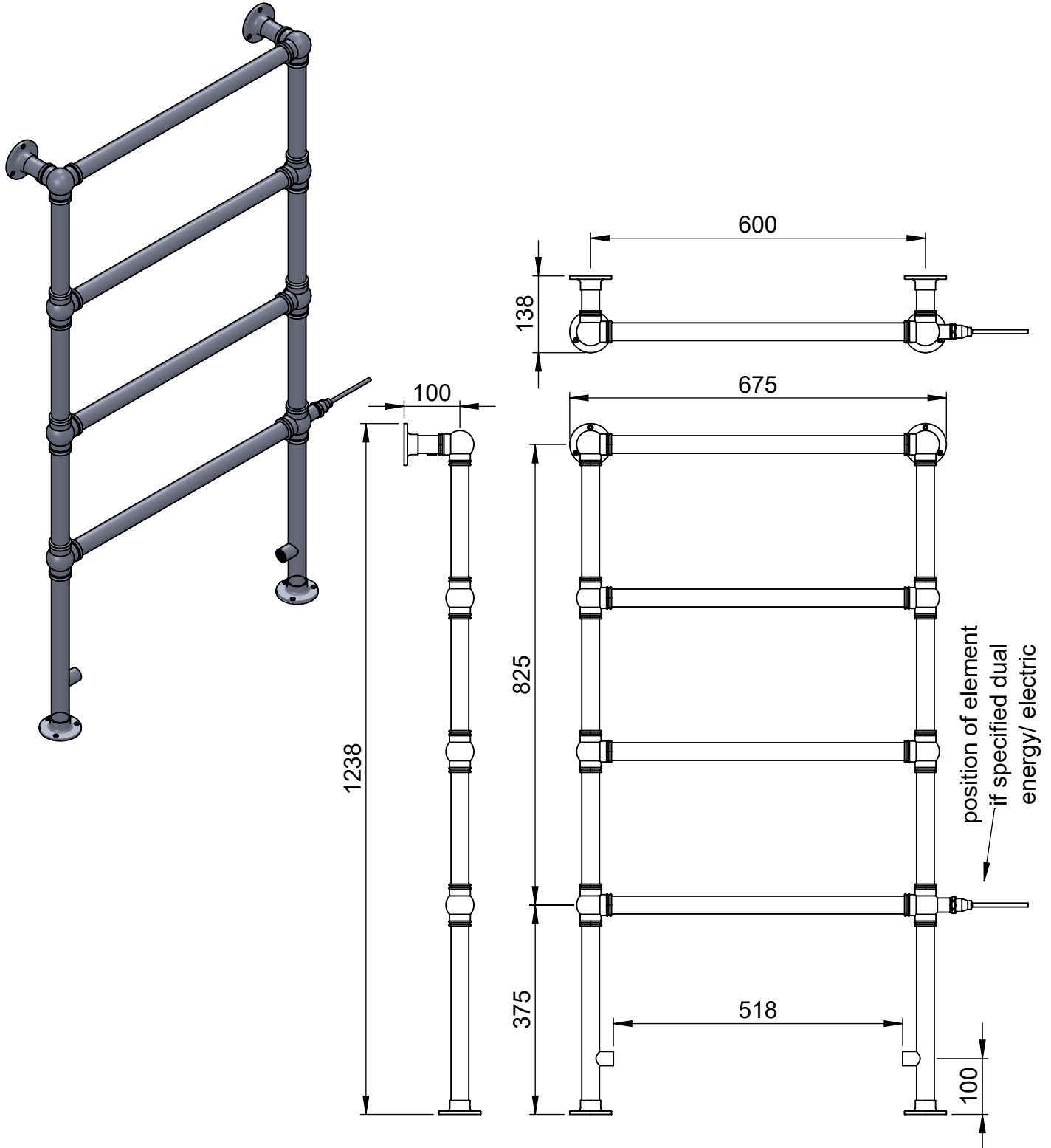
Elec. element if specified: 150

Output @ 50°C  $\Delta$  T Watts: 266

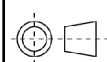
BTUs: 908

All dimensions in millimetres

Manufactured from ISO/CEN CuZn36As (BS CZ126) brass tube



Vogue UK Ltd. reserve the right to alter specifications without prior notice.  
ALL MEASUREMENTS ARE NOMINAL DIMENSIONS ONLY, AND ARE NOT BINDING.



**SCALE 1:10**



**VOGUE UK**

TOWEL WARMERS & RADIATORS

Strawberry Lane, Willenhall  
West Midlands WV13 3RS  
Tel: 01902 387000 Fax: 01902 387001  
e-mail:sales@vogueuk.co.uk www.vogueuk.co.uk